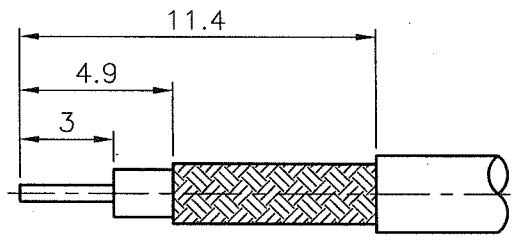


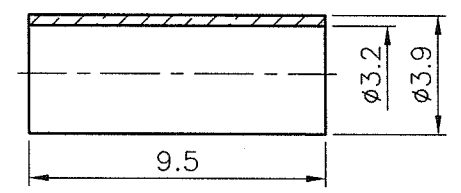
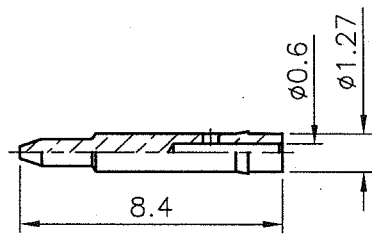
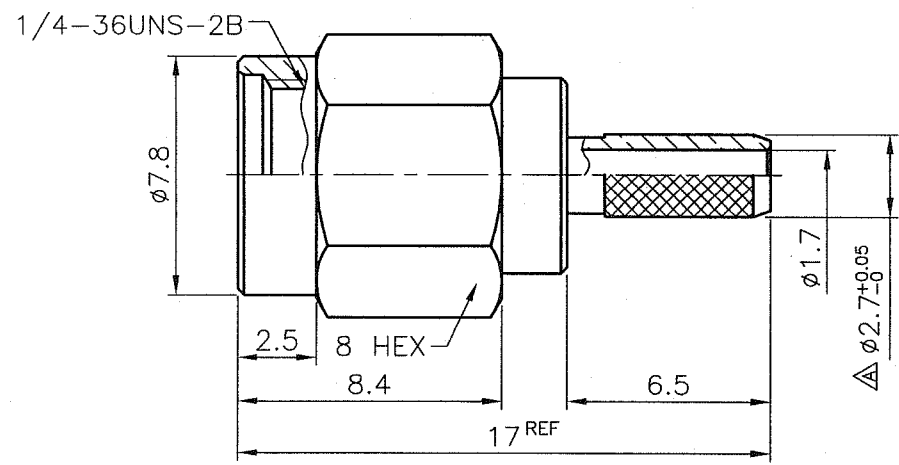
ISS		SYMBOL		DESCRIPTION\DATE
A1				由BJ-7801-09BGTG-R 型號轉來\08/02/06'
A2				多加註 $\phi 7.8, 2.5, 8.4, 6.5$ 的尺寸\07/21/08'
B1		Δ		依據設計變更通知單 TA-100-090423JY02, $\phi 2.7$ 變更為 $\phi 2.7^{+0.05}$ \04/23/09'
C1				依據設計變更通知單 TA-100-090930AC01 更換 FERRULE 材質 \10/26/09'

FOR CUSTOMER

REMARK: RoHS COMPLIANT
(符合 RoHS)



RECOMMENDED
CABLE STRIPPING DIM'S
(建議剝線尺寸)



NOTES: FINISH (PLATING THICKNESS IN MICRO-INCHES)

- BRASS PER QQ-B-626
- GOLD PL 3 MIN OVER NICKEL PL 70 MIN THICK OVER COPPER STRIKE
- TEFLON MIL-P-19468
- BERYLLIUM COPPER PER QQ-C-530
- GOLD PL 30 MIN OVER NICKEL PL 70 MIN THICK OVER COPPER STRIKE
- COPPER JIS H 3300,C 1220

- CRIMPED FERRULE
HEX CRIMP SIZE .128" (3.25mm)
(套管壓著工具)
- CONTACT PIN TO SOLDER
(中心針銲接)



NO.	DESCRIPTION	MATERIAL	FINISH	Q'TY	DRAWING NO.	SCALE	4/1	ISSUE	C1
	FERRULE	NOTE 6	NOTE 2						
	CONTACT PIN	NOTE 1	NOTE 5						
	SHELL	NOTE 1	NOTE 2						
	GASKET	SILICONE	RED						
	C RING	NOTE 4	NONE						
	INSULATOR	NOTE 3	WHITE						
	BODY	NOTE 1	NOTE 2						

DIMENSIONS ARE IN MILLIMETERS
UNLESS OTHERWISE SPECIFIED
TOLERANCES
(一般公差)
0.5~6 = ±0.2
>6~30 = ±0.4
>30~120 = ±0.6
>120~315 = ±1
>315~1000 = ±1.6
ANGLES(角度) = ±5'

PART NO.	
APPROVED	DATE
<i>Mark</i>	10/26/09'
CHECKED	DATE
<i>Mark</i>	10/26/09'
DRAWN	DATE
<i>Anel</i>	10/26/09'

BO-JIANG 帛江科技股份有限公司
BO-JIANG TECHNOLOGY CO., LTD.

TITLE
SMA CRIMP PLUG (FOR RG-174/U,
188A/U,316/U,1.5D-QEHV)

DRAWING NO. **7811NS509BD000B**

FILE NO. Z:\NND\7811\NS\509\000\7811NS509BD000B-C1