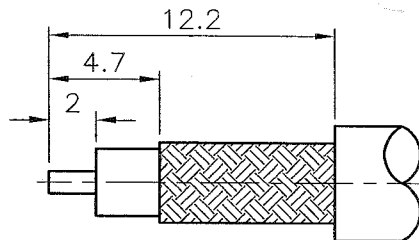


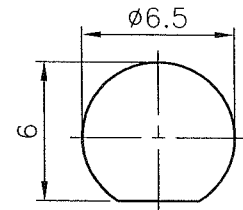
REVISIONS		
ISS	SYMBOL	DESCRIPTION\DATE
A1		由BJ-7812-02BGTG-R 型號轉來\11/09/07'

REM: RoHS COMPLIANT  
(符合 RoHS)

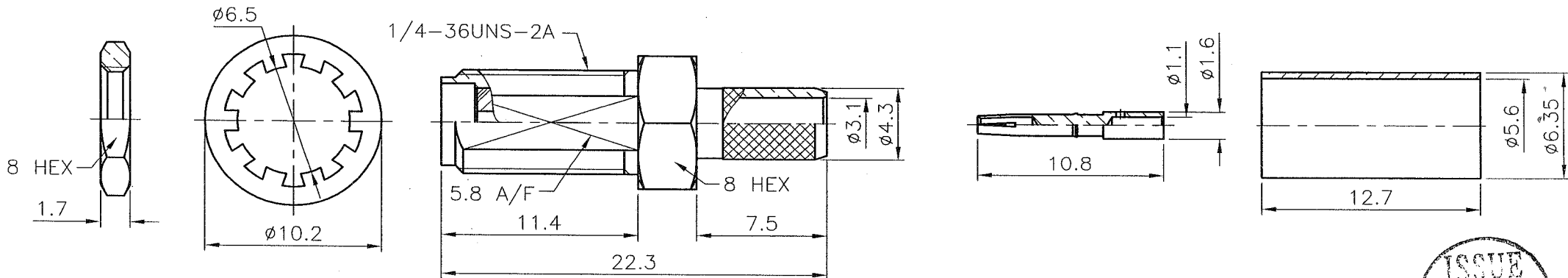
FOR CUSTOMER



RECOMMENDED  
CABLE STRIPPING DIM'S  
(建議剝線尺寸)



RECOMMENDED  
MOUNTING HOLE  
(建議架設孔)



NOTES: FINISH (PLATING THICKNESS IN MICRO-INCHES)

1. BRASS PER QQ-B-626
2. GOLD PL 3 MIN OVER NICKEL PL 70 MIN THICK OVER COPPER STRIKE
3. GOLD PL 30 MIN OVER NICKEL PL 70 MIN THICK OVER COPPER STRIKE
4. TEFLON MIL-P-19468
5. BRASS JIS H 3250, C 2700
6. BERYLLIUM COPPER PER QQ-C-530

1. CRIMPED FERRULE  
HEX CRIMP SIZE .213" (5.41mm)  
(套管壓著工具)
2. CONTACT PIN TO SOLDER  
(中心針銲接)
3. MAX. PANEL THICKNESS=3.2mm  
(最大板厚)



					DIMENSIONS ARE IN MILLIMETERS				PART NO.		BO-JIANG BO-JIANG TECHNOLOGY CO., LTD.	
NUT	NOTE 1	NOTE 2			UNLESS OTHERWISE SPECIFIED TOLERANCES (一般公差) 0.5~6 = ±0.2 >6~30 = ±0.4 >30~120 = ±0.6 >120~315 = ±1 >315~1000 = ±1.6 ANGLES(角度) = ±5'				APPROVED	DATE	TITLE SMA BULKHEAD CRIMP JACK (FOR RG-55/U,142A/U,223/U,400/U)	
WASHER	SS41	NOTE 2							<i>[Signature]</i>	11/09/07'		
FERRULE	NOTE 5	NOTE 2							CHECKED	DATE	DRAWING NO. 7861BS502BD000B	
CONTACT PIN	NOTE 6	NOTE 3							<i>[Signature]</i>	11/09/07'		
INSULATOR	NOTE 4	WHITE							DRAWN	DATE	FILE NO. Z:\NND\7861\BS\502\000\7861BS502BD000B-A1	
BODY	NOTE 1	NOTE 2							<i>[Signature]</i>	11/09/07'		
NO.	DESCRIPTION	MATERIAL	FINISH	Q'TY	DRAWING NO.	SCALE	3/1	ISSUE	A1			