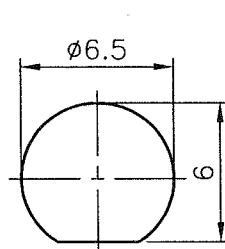


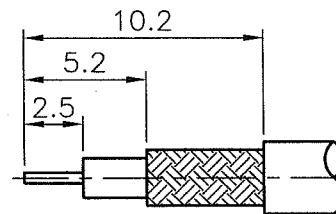
REVISIONS	
ISS	SYMBOL
	DESCRIPTION\DATE
A1	由BJ-7812-09BGTG-R型號轉來\08/04/06'
B1	依據設計變更通知單 TA-100-090930AC01 更換 FERRULE 材質 \10/26/09'

FOR CUSTOMER

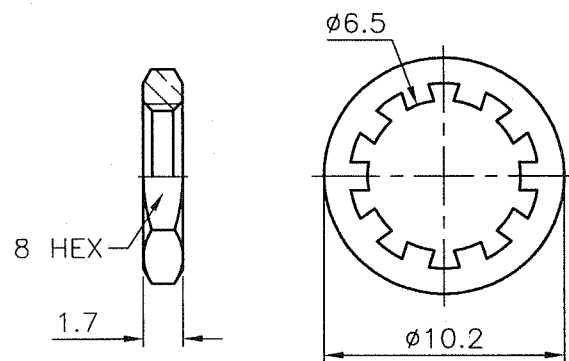
REMARK: RoHS COMPLIANT
(符合 RoHS)



RECOMMENDED MOUNTING HOLE
(建議架設孔)

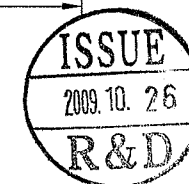
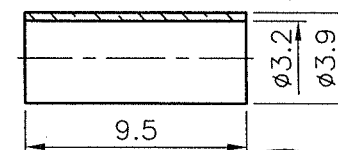
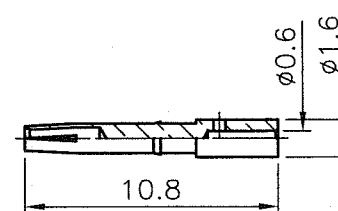
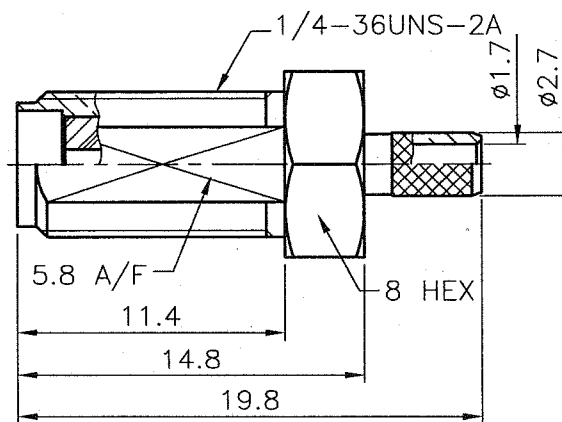


RECOMMENDED CABLE STRIPPING DIM'S
(建議剝線尺寸)



NOTES: FINISH (PLATING THICKNESS IN MICRO-INCHES)

1. BRASS PER QQ-B-626
2. GOLD 3 MIN THICK OVER NICKEL PL 70 MIN THICK OVER COPPER STRIKE
3. GOLD PL 30 MIN OVER NICKEL PL 70 MIN THICK OVER COPPER STRIKE
4. TEFLON MIL-P-19468
5. BERYLLIUM COPPER PER QQ-C-530
6. COPPER JIS H 3300,C 1220



1. CRIMPED FERRULE
HEX CRIMP SIZE .128" (3.25mm)
(套管壓著工具)
2. CONTACT PIN TO SOLDER
(中心針銲接)
3. MAX. PANEL THICKNESS=3.2mm
(最大板厚)

					DIMENSIONS ARE IN MILLIMETERS				PART NO.		BO-JIANG BO-JIANG TECHNOLOGY CO., LTD.	
NUT	NOTE 1	NOTE 2			UNLESS OTHERWISE SPECIFIED TOLERANCES (一般公差) 0.5~6 = ±0.2 >6~30 = ±0.4 >30~120 = ±0.6 >120~315 = ±1 >315~1000 = ±1.6 ANGLES(角度) = ±5°				APPROVED	DATE	TITLE SMA BULKHEAD CRIMP JACK (FOR RG-174/U,188A/U,316/U)	
WASHER	SS41	NOTE 2							10/26/09'			
FERRULE	NOTE 6	NOTE 2							CHECKED	DATE		
CONTACT PIN	NOTE 5	NOTE 3							10/26/09'			
INSULATOR	NOTE 4	WHITE							DRAWN	DATE		
BODY	NOTE 1	NOTE 2							10/26/09'			
NO.	DESCRIPTION	MATERIAL	FINISH	Q'TY	DRAWING NO.	SCALE	3/1	ISSUE	B1	DRAWING NO. 7861BS509BD000B		
										FILE NO. Z:\NND\7861\BS\509\000\7861BS509BD000B-B1		