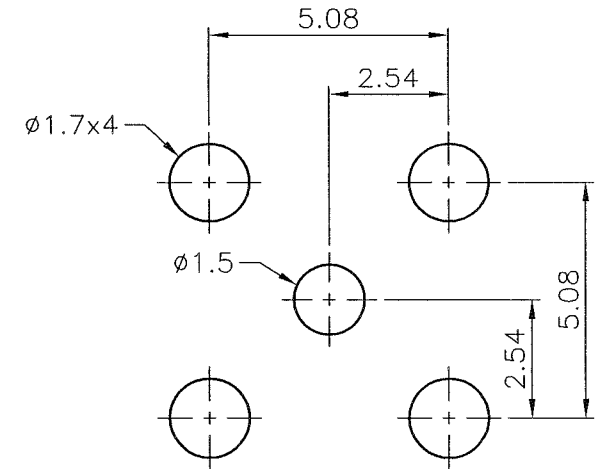
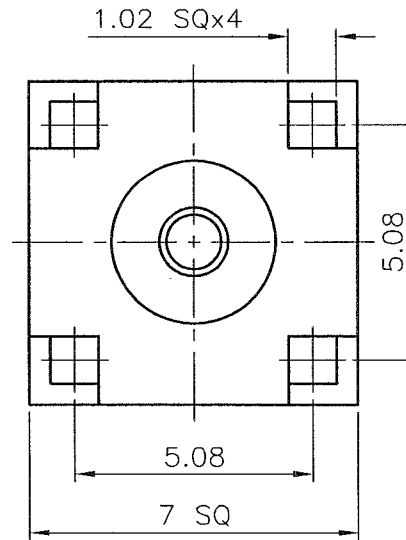
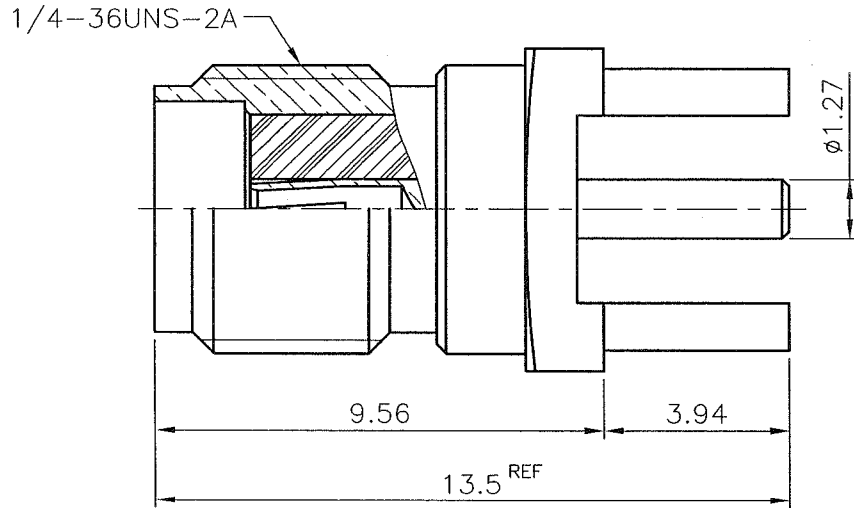


REVISIONS

| ISS | SYMBOL | DESCRIPTION\DATE                      |
|-----|--------|---------------------------------------|
| A1  |        | 由R7845-BGTG 型號轉來,改畫對外圖面<br>\08/17/06' |

REMARK: RoHS COMPLIANT  
(符合 RoHS)

FOR CUSTOMER



P.C.B. LAYOUT  
(印刷電路板配置)

NOTES: FINISH (PLATING THICKNESS IN MICRO-INCHES)

1. BRASS PER QQ-B-626
2. GOLD PL 3 MIN THICK OVER NICKEL PL 70 MIN THICK OVER NICKEL STRIKE
3. GOLD PL 30 MIN THICK OVER NICKEL PL 70 MIN THICK OVER NICKEL STRIKE
4. TEFLON MIL-P-19468
5. BERYLLIUM COPPER PER QQ-C-530



|             |             |          |        |      | DIMENSIONS ARE IN MILLIMETERS                |       |     |       | PART NO.  |       | BO-JIANG BO-JIANG TECHNOLOGY CO., LTD. |  |  |
|-------------|-------------|----------|--------|------|--|-------|-----|-------|-----------|-------|--|--|--|
|             |             |          |        |      | UNLESS OTHERWISE SPECIFIED TOLERANCES (一般公差) |       |     |       | APPROVED  |       | BO-JIANG                               |  |  |
|             |             |          |        |      | 0.5~6 = ±0.2                                 |       |     |       | DATE      |       | TITLE                                  |  |  |
|             |             |          |        |      | >6~30 = ±0.4                                 |       |     |       | 08/17/06' |       | SMA PCB MOUNT JACK                     |  |  |
|             |             |          |        |      | >30~120 = ±0.6                               |       |     |       | CHECKED   |       | DRAWING NO.                            |  |  |
| CONTACT PIN |             |          |        |      | >120~315 = ±1                                |       |     |       | DATE      |       | 7865NS502BD000B                        |  |  |
| INSULATOR   |             |          |        |      | >315~1000 = ±1.6                             |       |     |       | DRAWN     |       | FILE NO.                               |  |  |
| BODY        |             |          |        |      | ANGLES(角度) = ±5'                             |       |     |       | DATE      |       | Z:\NND\7865\NS\502\000\BDB-A1          |  |  |
| NO.         | DESCRIPTION | MATERIAL | FINISH | Q'TY | DRAWING NO.                                  | SCALE | 6/1 | ISSUE | A1        | Alvin | 08/17/06'                              |  |  |