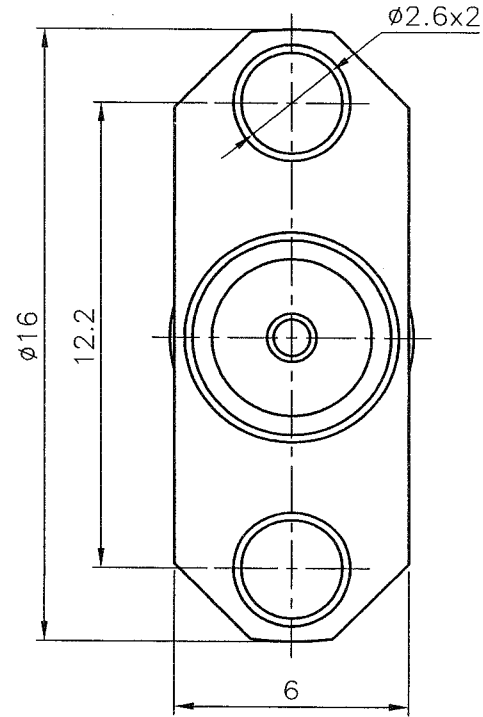
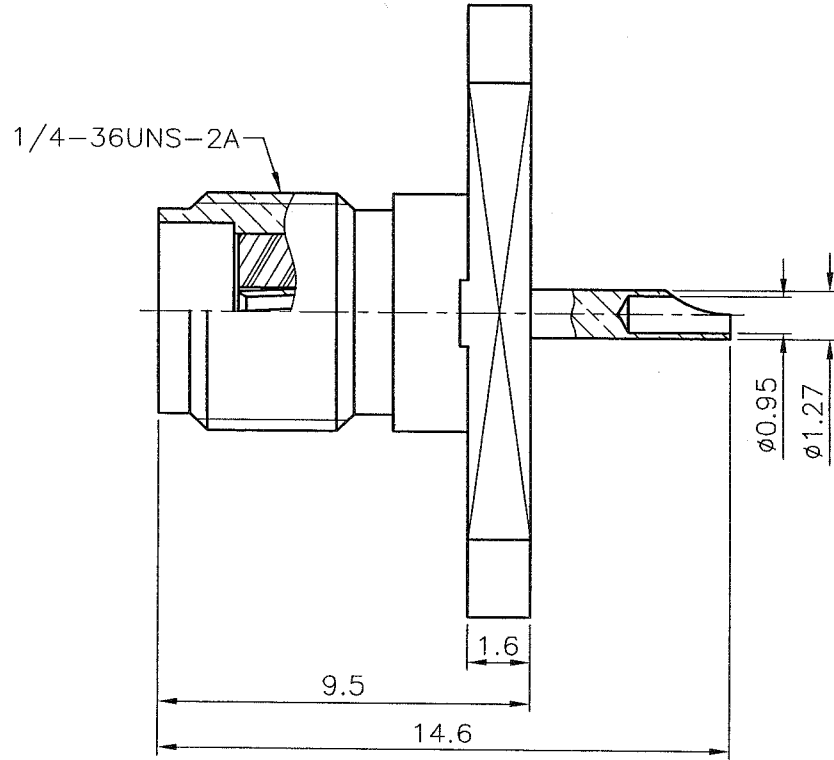


ISS		SYMBOL		REVISIONS		DESCRIPTION\DATE	
A1		由BJ-7815-82BGTG001-R	型號轉來	08/14/06'			

REMARK: RoHS COMPLIANT
(符合 RoHS)

FOR CUSTOMER



NOTES: FINISH (PLATING THICKNESS IN MICRO-INCHES)

1. BRASS PER QQ-B-626
2. GOLD PL 3 MIN OVER NICKEL PL 70 MIN THICK OVER COPPER STRIKE
3. GOLD PL 30 MIN OVER NICKEL PL 70 MIN THICK OVER COPPER STRIKE
4. TEFLON MIL-P-19468
5. BERYLLIUM COPPER PER QQ-C-530



					DIMENSIONS ARE IN MILLIMETERS				PART NO.		BO-JIANG BO-JIANG TECHNOLOGY CO., LTD.			
					UNLESS OTHERWISE SPECIFIED TOLERANCES (一般公差) 0.5~6 = ±0.2 >6~30 = ±0.4 >30~120 = ±0.6 >120~315 = ±1 >315~1000 = ±1.6 ANGLES(角度) = ±5'				APPROVED		DATE		TITLE	
LOCK RING									AOK		08/14/06'		SMA PANEL RECEIPT JACK	
INSULATOR									AOK		08/14/06'		DRAWING NO. 7869ES501BD000B	
INSULATOR									AOK		08/14/06'		FILE NO. Z:\NND\7869\ES\501\000\BDB-A1	
CONTACT PIN									AOK		08/14/06'			
BODY									DRAWN		DATE			
									AOK		08/14/06'			
NO.	DESCRIPTION	MATERIAL	FINISH	Q'TY	DRAWING NO.	SCALE	5/1	ISSUE	A1					