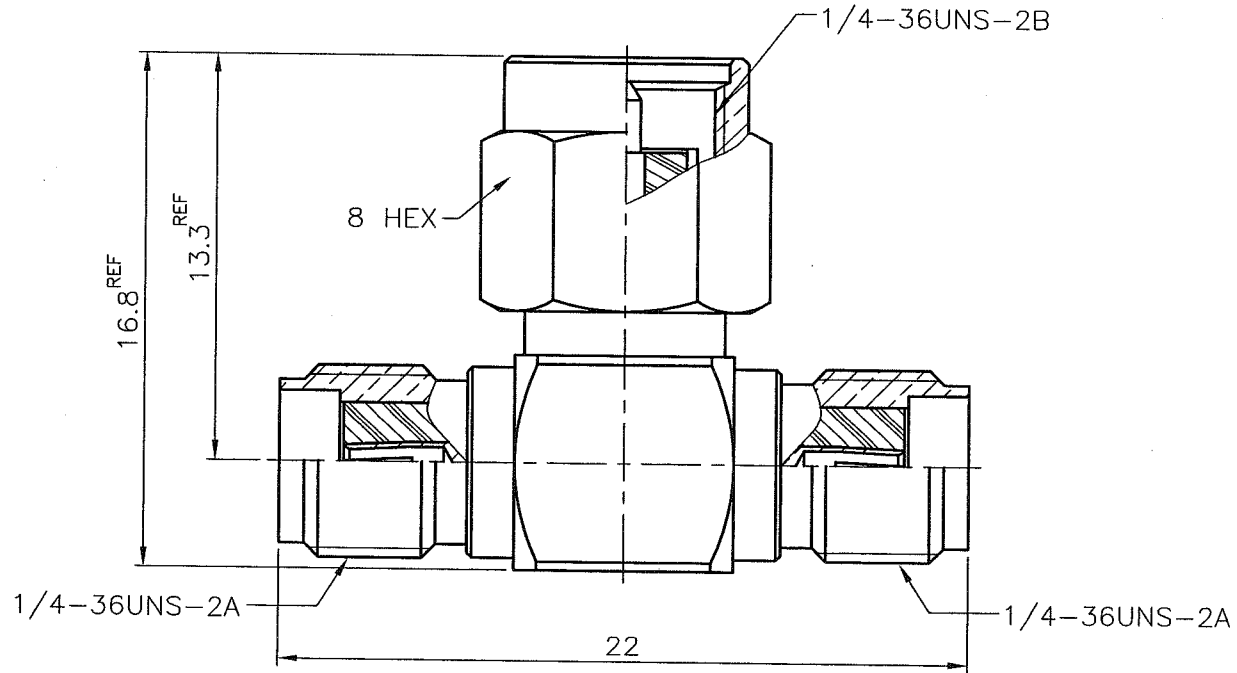


REVISIONS	
ISS	SYMBOL
A1	由BJ-7841-88BNTG001-R 型號轉來\08/17/06'

MARK: RoHS COMPLIANT
(符合 RoHS)

FOR CUSTOMER



NOTES: FINISH (PLATING THICKNESS IN MICRO-INCHES)

1. BRASS PER QQ-B-626
2. NICKEL PL 70 MIN THICK OVER COPPER STRIKE
3. GOLD PL 30 MIN OVER NICKEL PL 70 MIN THICK OVER COPPER STRIKE
4. TEFLON MIL-P-19468
5. BERYLLIUM COPPER PER QQ-C-530



NO.	DESCRIPTION	MATERIAL	FINISH	Q'TY	DRAWING NO.
	COVER	NOTE 1	NOTE 2		
	SHELL	NOTE 1	NOTE 2		
	GASKET	SILICONE	RED		
	C RING	NOTE 5	NONE		
	CONTACT PIN	NOTE 1	NOTE 3		
	INSULATOR	NOTE 4	WHITE		
	CONTACT PIN	NOTE 5	NOTE 3		
	INSULATOR	NOTE 4	WHITE		
	MAIN BODY	NOTE 1	NOTE 2		

DIMENSIONS ARE IN MILLIMETERS			
UNLESS OTHERWISE SPECIFIED TOLERANCES (一般公差)			
0.5~6	=	±0.2	
>6~30	=	±0.4	
>30~120	=	±0.6	
>120~315	=	±1	
>315~1000	=	±1.6	
ANGLES(角度) = ±5'			

PART NO.	
APPROVED	DATE
<i>Aref</i>	08/17/06'
CHECKED	DATE
<i>Aref</i>	08/17/06'
DRAWN	DATE
<i>Aref</i>	08/17/06'

BO-JIANG BO-JIANG TECHNOLOGY CO., LTD.	
TITLE	
SMA T-ANGLE JACK-PLUG-JACK ADAPTOR	
DRAWING NO.	
7898NT500BF000B	
FILE NO.	
Z:/NND/7898\NT\500\000\BFB-A1	